

BG Mounting system

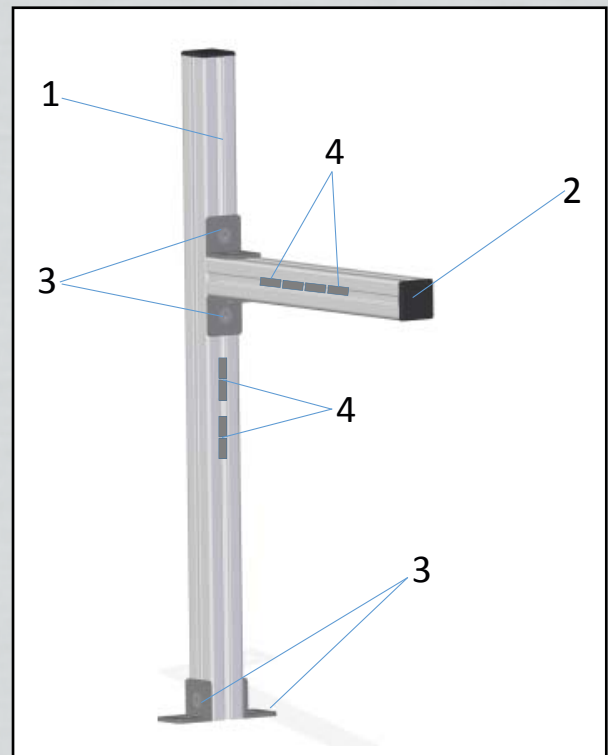


Image similar, lasers and accessories not included in delivery!

Field of application:

The **Z-LASER** mounting system BG helps to install positioning lasers to any transfer presses and similar applications in the textile refining industry. It consists of two aluminum profiles as well as fastening material for wall mounting or a clamping device for the work table. The shorter aluminum profile can be installed and fixed in the required position.

Any number of laser mounts can be assembled and moved on with t-nuts and internal thread. This allows exact positioning of the alignment lasers.



| No. | Description |
|-----|---|
| 1 | Aluminum profile, 500 x30 x30mm |
| 2 | Aluminum profile, 250 x30 x30mm |
| 3 | Fastening angle, also working for mounting on wall or table |
| 4 | T-nuts M4 for mounting a laser bracket H2 or H3 |