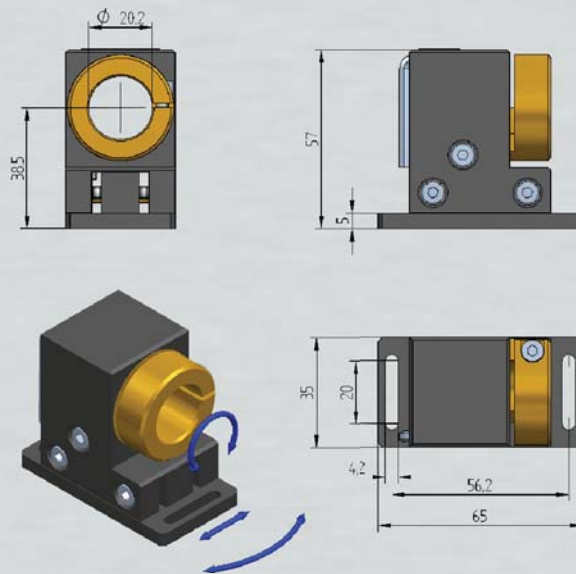
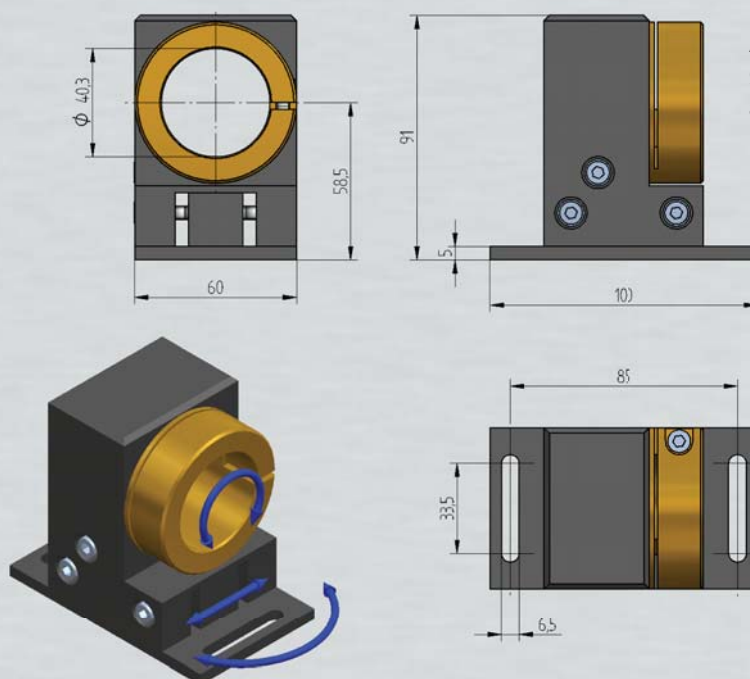


## H6-20 and H6-40 Precision mounting



### H6-20

Aluminium mounting for all  $\varnothing$  20mm lasers. Coaxially pivotable, angle adjustable, parallel shiftable.



### H6-40

Aluminium mounting for all  $\varnothing$  40mm lasers. Coaxially pivotable, angle adjustable, parallel shiftable.