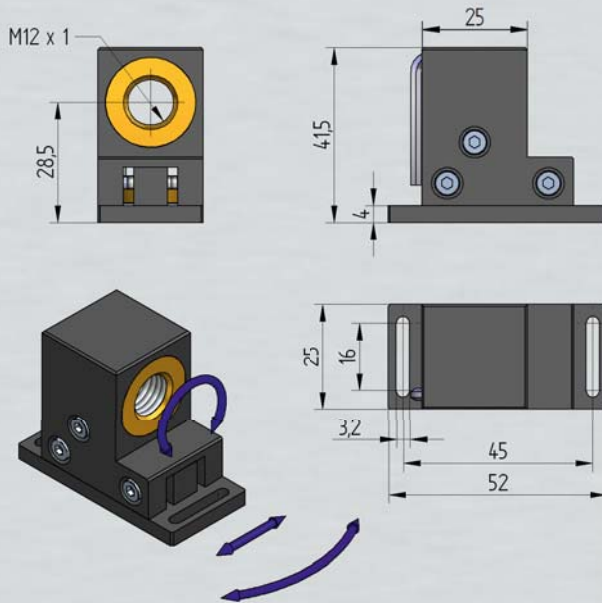
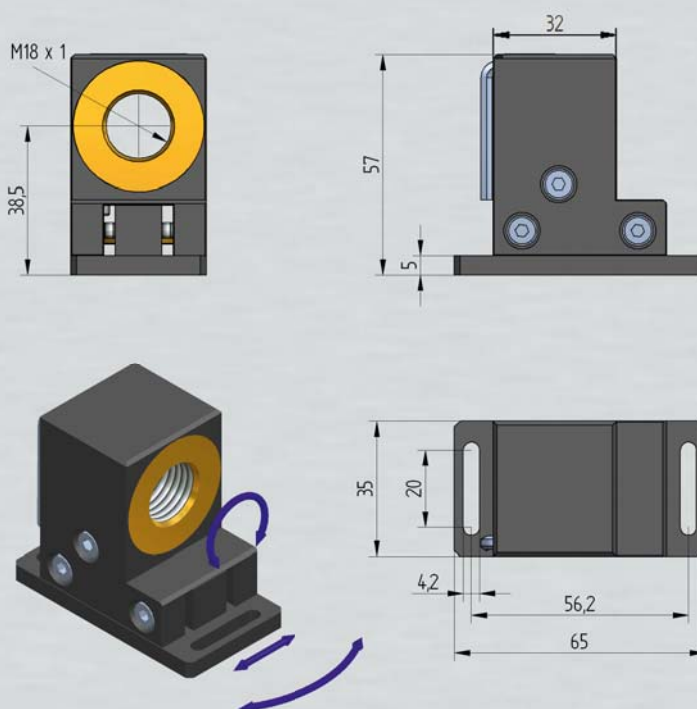


## H6-M12 and H6-M18 Precision mountings



### H6-M12

Aluminium mounting for all ZM12 lasers with M12 thread. Coaxially pivotable, angle adjustable, parallel shiftable.



### H6-M18

Aluminium mounting for all ZM18 lasers with M18 thread. Coaxially pivotable, angle adjustable, parallel shiftable.