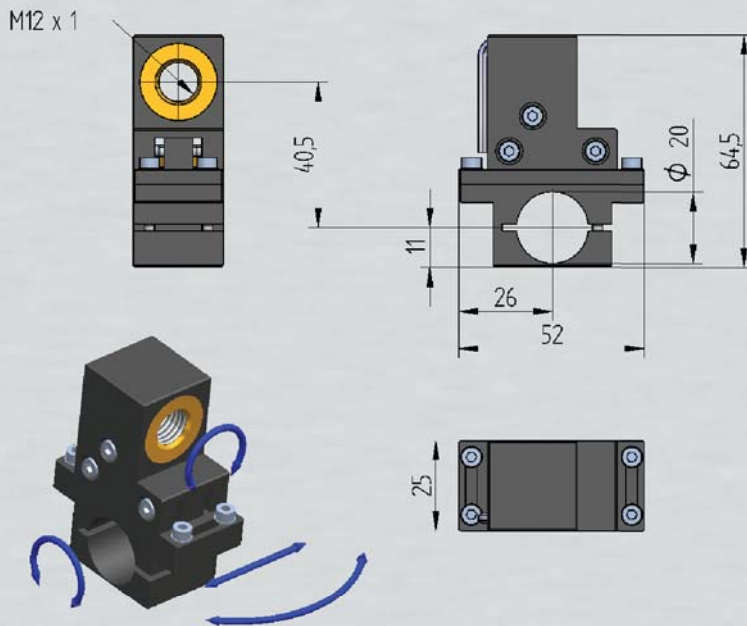
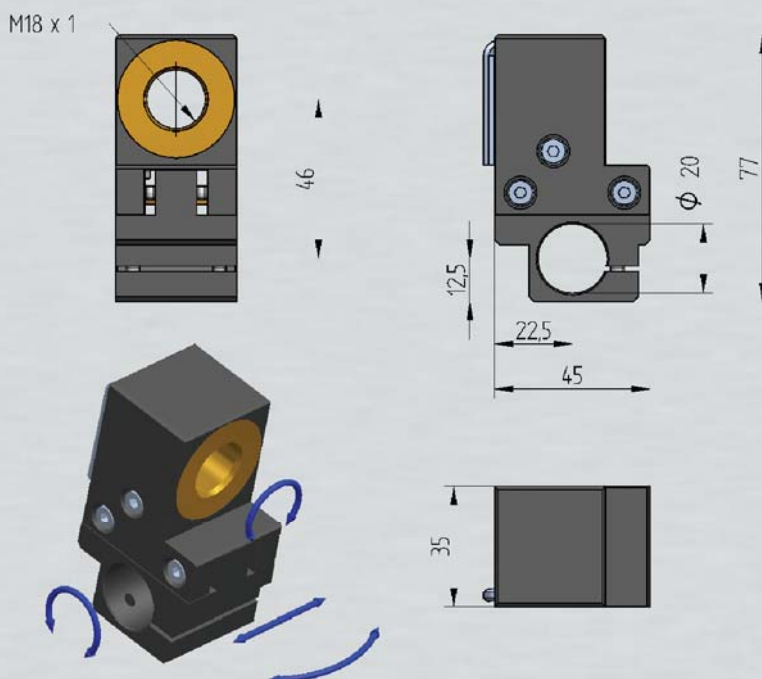


## H8-M12 and H8-M18 Precision mountings



### H8-M12

Aluminium mounting for all ZM12 lasers with M12 thread. Coaxially pivotable, angle adjustable, parallel shiftable, for mounting on a 20mm rod.



### H8-M18

Aluminium mounting for all ZM18 lasers with M18 thread. Coaxially pivotable, angle adjustable, parallel shiftable, for mounting on a 20mm rod.