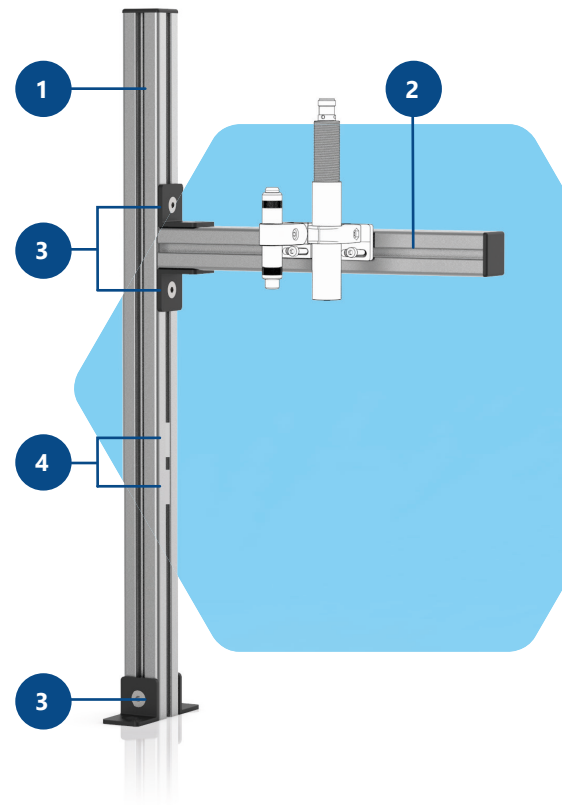


BG Mounting system

The Z-LASER mounting system BG helps to install positioning lasers to any transfer presses and similar applications in the textile refining industry. It consists of two aluminum profiles as well as fastening material for wall mounting or a clamping device for the working table.

The shorter aluminum profile can be installed and fixed in the required position. Any number of laser mounts can be assembled and shifted with t-nuts and internal thread.

This allows exact positioning of the alignment lasers.



Description

1 Aluminium profil | 500mm x 30mm x 30mm

2 Aluminium profil | 250mm x 30mm x 30mm

3 Fastening angle, also working for mounting on wall or table

4 T-nuts M4 for mounting a laser bracket H2 or H3

Recommend mountings:



H2-11



H2-20



H3-20